

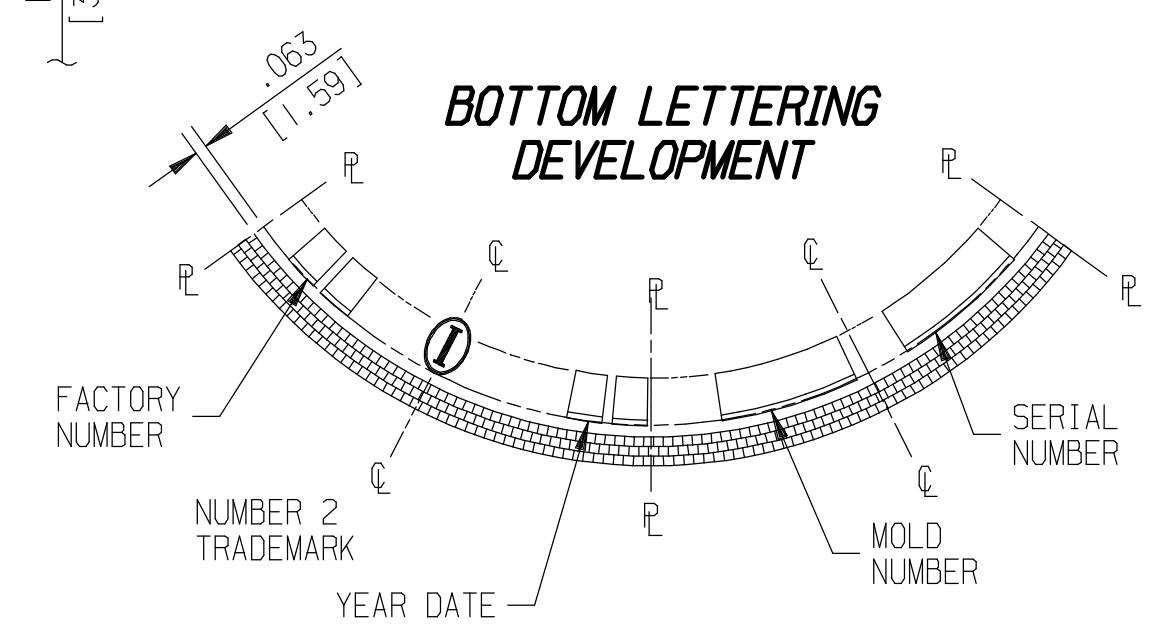
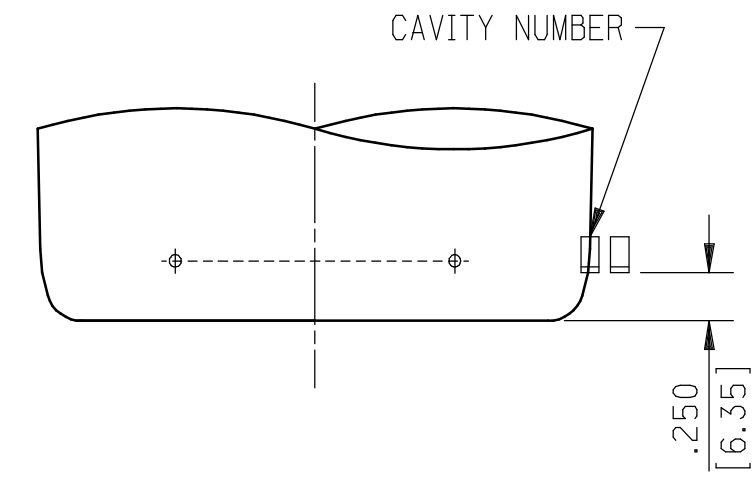
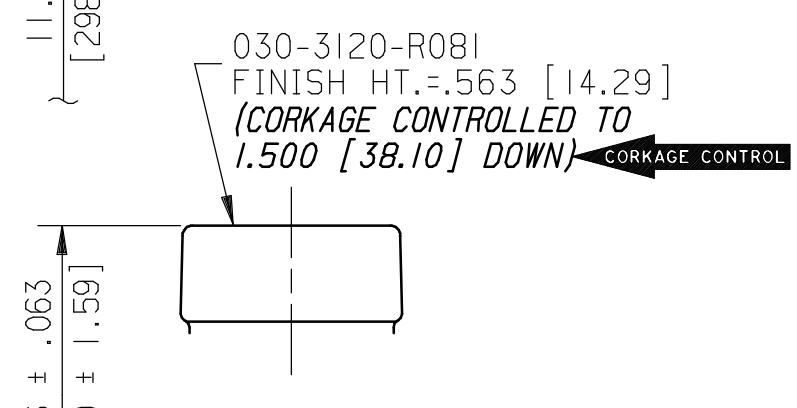
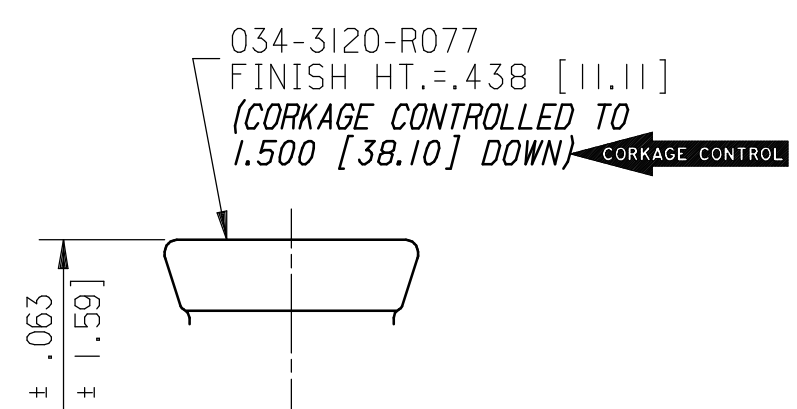
CAPACITY LETTERING TO APPEAR ON SIDE OPPOSITE C.I.D. III DOTS AND TO BE .250 [6.35] TALL.

C.I.D. III DOTS AND CAVITY NUMBER TO APPEAR ON HEEL. CAVITY NUMBER TO BE .188 [4.76] TALL.

BOTTOM PLATE LETTERING TO BE .250 [6.35] TALL. AND READABLE WHEN BOTTLE IS TURNED.

BPK-150 TO APPEAR ON PUSHUP AS SHOWN.

"X" DESIGNS TO APPEAR ON BEARING SURFACE.



| APPROX. STABILITY PROPERTIES  | EMPTY | FULL  |
|-------------------------------|-------|-------|
| CENTER OF GRAVITY (IN INCHES) | 3.41  | 4.57  |
| BOTTLE STABILITY RATIO        | 0.74  | 0.56  |
| TIP ANGLE (IN DEGREES)        | 20.4° | 15.5° |

| FINISH        | OVERFLOW CAPACITY         | WEIGHT                                  | F.P. DN. IN.      | NECK STR. CONTROL |
|---------------|---------------------------|---|-------------------|-------------------|
| 030-3110-RA06 | 26.034 fl. oz. [769.92ml] | 19.813oz. ± 0.750oz. [561.68g ± 21.26g] | 2.625 DN. [66.68] | 1.531 DN. [38.89] |
| 030-3110-RA10 | 26.034 fl. oz. [769.92ml] | 19.813oz. ± 0.750oz. [561.68g ± 21.26g] | 2.625 DN. [66.68] | 1.531 DN. [38.89] |
| 030-3120-R074 | 26.056 fl. oz. [770.57ml] | 19.938oz. ± 0.750oz. [565.22g ± 21.26g] | 2.672 DN. [67.87] | 1.594 DN. [40.48] |
| 034-3123-R010 | 26.034 fl. oz. [769.92ml] | 20.125oz. ± 0.750oz. [570.53g ± 21.26g] | 2.634 DN. [66.90] | 1.540 DN. [39.12] |
| 030-3120-R075 | 26.034 fl. oz. [769.92ml] | 19.854oz. ± 0.750oz. [562.85g ± 21.26g] | 2.625 DN. [66.68] | 1.531 DN. [38.89] |
| 034-3120-R077 | 26.030 fl. oz. [769.80ml] | 19.792oz. ± 0.750oz. [561.09g ± 21.26g] | 2.506 DN. [63.65] | 1.412 DN. [35.87] |
| 034-3123-R004 | 26.018 fl. oz. [769.44ml] | 19.730oz. ± 0.750oz. [559.34g ± 21.26g] | 2.425 DN. [61.60] | 1.331 DN. [33.81] |
| 030-3120-R081 | 26.040 fl. oz. [770.09ml] | 19.846oz. ± 0.750oz. [562.62g ± 21.26g] | 2.636 DN. [66.95] | 1.542 DN. [39.17] |

THIS CONTAINER IS DESIGNED FOR NON-PRESSURE USE ONLY.

THIS ITEM UTILIZES BLANK AND FINISH EQUIPMENT FROM WP-2.

NOTICE  
INFORMATION CONTAINED HEREIN CONSTITUTES PROPRIETARY CONFIDENTIAL INFORMATION OF OWENS-ILLINOIS, INC. AND IS TO BE ACCEPTED ONLY SUBJECT TO THAT UNDERSTANDING. IT IS TO BE KEPT CONFIDENTIAL AND NOT TO BE COPIED, USED OR CONVEYED TO OTHERS WITHOUT OWENS-ILLINOIS WRITTEN AUTHORIZATION.

|           |   |   |     |           |
|-----------|---|---|-----|-----------|
| -7        | REDRAWN; PUNT RADIUS WAS .500; UPDATED DWG. | P | SDK | 09 MAY 02 |
| REVISIONS |   |   |     |           |

|  |   |
|--|---|
| ALL LETTERING TO BE ROUND BOTTOM STYLE. RAISED IN GLASS, UNLESS OTHERWISE NOTED. CAPACITY VALUES BASED ON WATER AT 68°F [20°C] | ALL NON TOLERANCE SIZES ARE FOR MOLD MANUFACTURE REFERENCE ONLY. METRIC SHOWN IN BRACKETS |
| RATED CAPACITY 25.361 FL. OZ. ± 0.250 FL. OZ. [ 750.00 ml ± 7.39 ml]   |   |
| O'FLOW CAPACITY SEE CHART  |   |
| FILL POINT SEE CHART   |   |
| WEIGHT SEE CHART   |   |

|                                   |                                    |
|-----------------------------------|------------------------------------|
| STOCK                             | 750 ml TAPERED CLARET              |
| DESCR. ROUND                      |                                    |
| INTL.                             | CAD LIB. DHFM                      |
| DATE: 09 MAY 02 (ORIG. 07 MAY 97) | REF. NO. L-925A4 (G)               |
| REDRAWN: SDK                      | CHECKED: _____ APPROVED: MAY 13 02 |

|  |
|--|
| <b>OWENS-ILLINOIS</b><br>Global Glass Technology<br>Container Engineering<br>One Seagate<br>Toledo, Ohio 43666 |
| DRAWING NUMBER<br>WA-2177-B-7  |
| MOLD NUMBER<br>WP-138  |