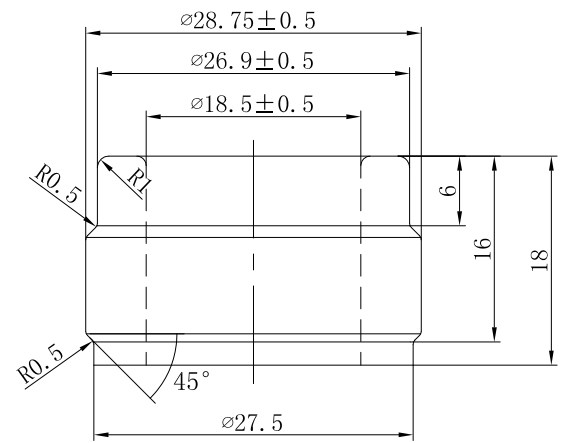
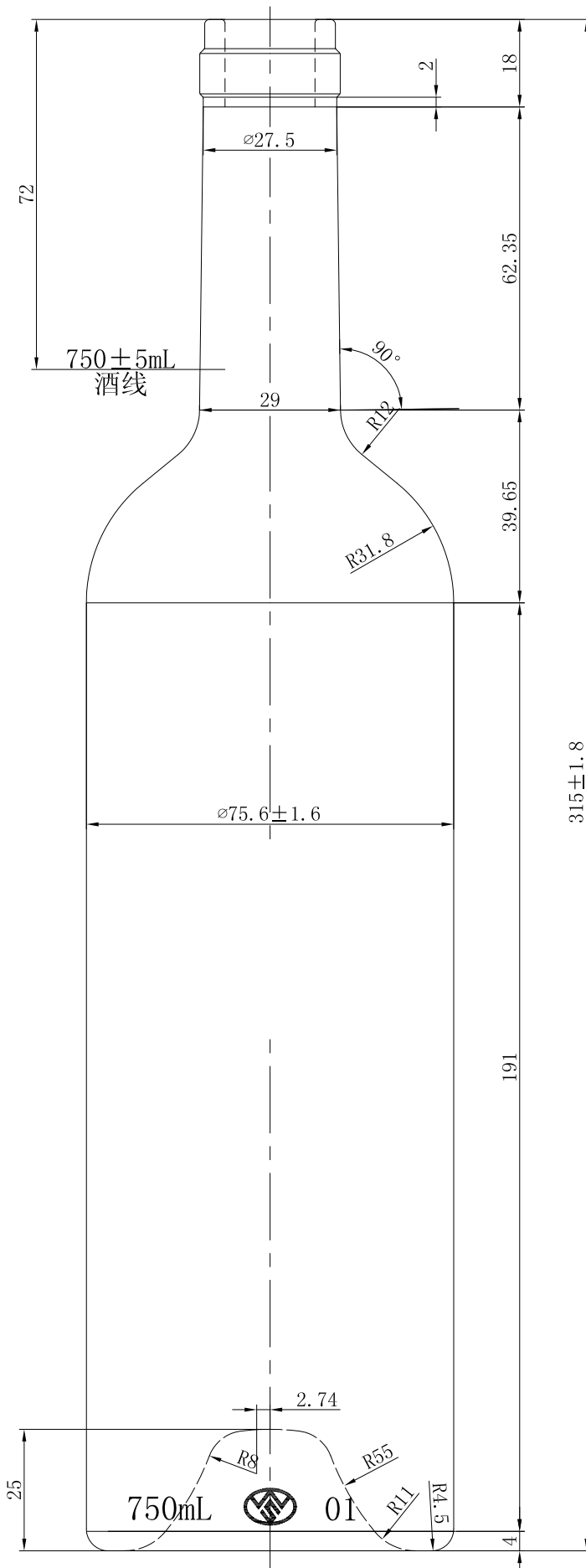


# WW11



	750	mL
	775 ± 10	mL
Weight	570 ± 25	g
Height	315 ± 1.8	mm
Width	75.6 ± 1.6	mm
		mm
		mm
		mm
	28.75 ± 0.5	mm
	18.5 ± 0.5	mm
		M1 : 1
	WW11	