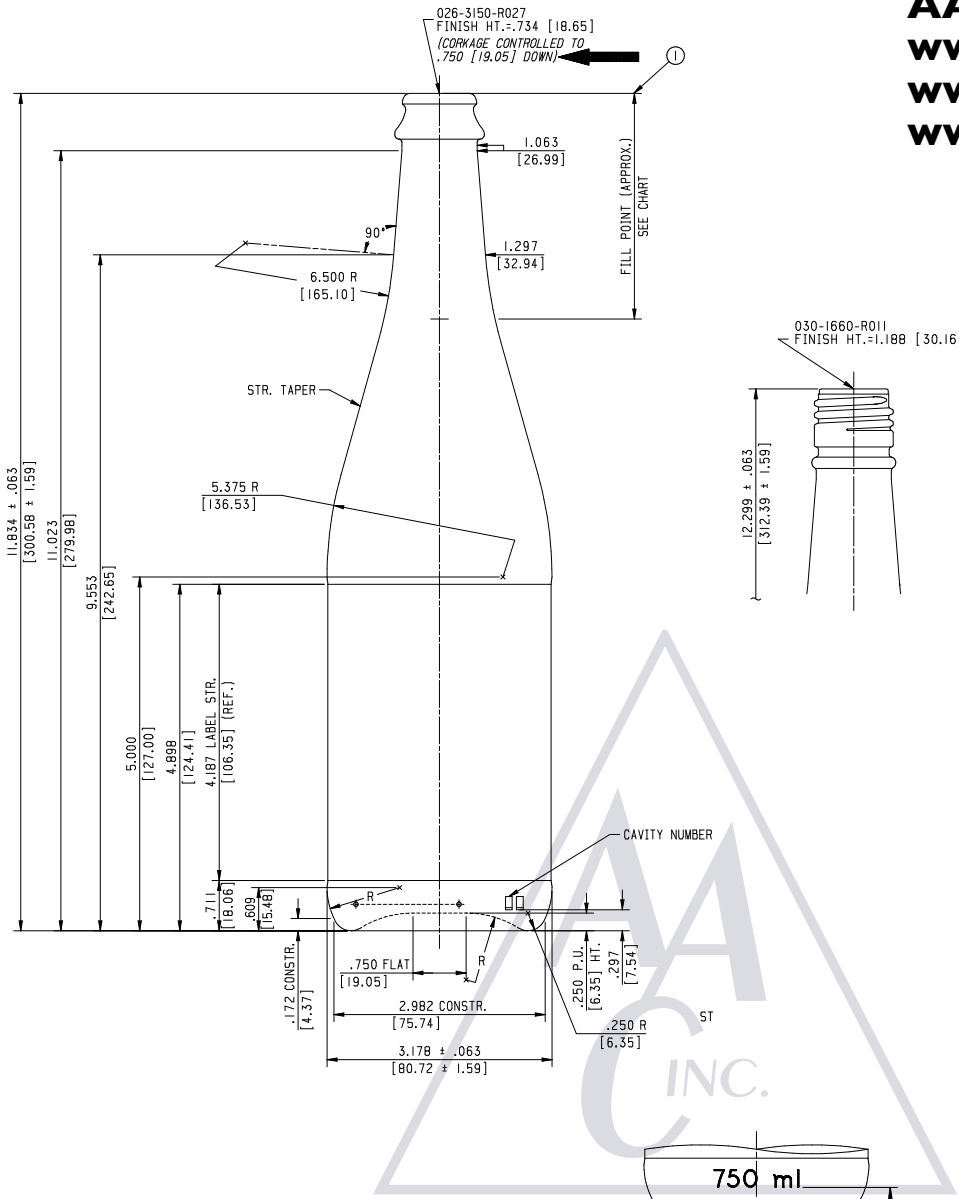


U.S. Distributor:
All American Containers
AAC Wine
www.aacwine.com
www.aacfood.com
www.aacspirits.com



① TENTATIVE FILL POINT(S) - APPROXIMATE LOCATION DETERMINED FROM COMPETITOR PRINT. ACTUAL LOCATION TO BE DETERMINED FROM SAMPLING AND/OR FIRST PRODUCTION. FILL LOCATION MAY VARY UP OR DOWN FROM THAT INDICATED.

C.I.D. III DOTS TO APPEAR ON HEEL.

CAPACITY LETTERING TO APPEAR ON SIDE OPPOSITE C.I.D. III DOTS AS SHOWN, AND TO BE .250 [6.35] TALL.

BOTTOM PLATE LETTERING TO BE .156 [3.97] TALL EXCEPT OPTIONAL CAVITY NUMBER TO BE .188 [4.76] TALL.

BAR KNURLING TO APPEAR ON BEARING SURFACE.

FINISH	OVERFLOW CAPACITY	F.P. DN. IN.	NECK STR. CONTROL FROM TOP OF FIN.
026-3150-R027	26.399 u.s. fl. oz. 27.477 imp. oz. [780.71 ml]	3.187 [80.95]	0.811 [20.60]
030-1660-R011	26.472 u.s. fl. oz. 27.553 imp. oz. [782.87 ml]	3.734 [94.84]	

APPROX. STABILITY PROPERTIES	EMPTY	FULL
CENTER OF GRAVITY (IN INCHES)	4.16	4.05
BOTTLE STABILITY RATIO	0.60	0.62
TIP ANGLE (IN DEGREES)	16.7	17.2

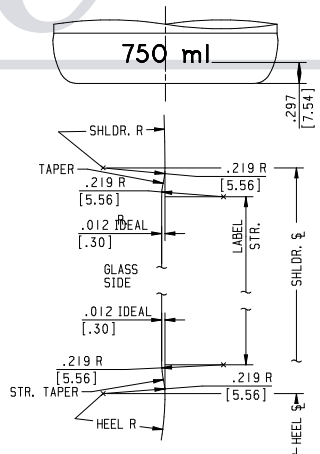
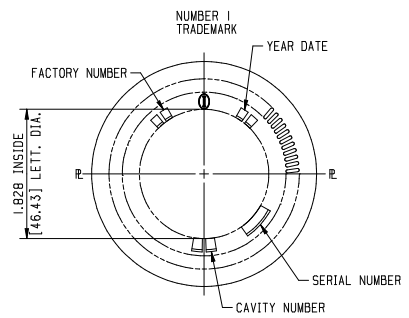
IT IS THE RESPONSIBILITY OF THE GLASS CONTAINER PURCHASER TO CONSULT WITH ITS CLOSURE AND CONTAINER SUPPLIERS TO DETERMINE THE APPROPRIATE PRESSURE LIMITS FOR THE COMBINATION OF THE CONTAINER, ITS FINISH, AND THE CLOSURE CHOSEN, WHEN THE CONTAINER WILL BE SUBJECTED TO PRESSURE OR USED FOR CONTENTS UNDER PRESSURE.

CAUTION: LETTERING PROTRUDES BEYOND THE MAJOR DIAMETER AND CONTACT POINT OF THIS CONTAINER. THIS MAY RESULT IN HANDLING PROBLEMS DURING PROCESSING.

CAUTION: C.I.D. III DOTS MAY PROTRUDE BEYOND THE MAJOR DIAMETER AND CONTACT POINT OF THIS CONTAINER. THIS MAY RESULT IN HANDLING PROBLEMS DURING PROCESSING.

REPLACEMENT EQUIPMENT BUILT AFTER 09 APR 03 SHOULD HAVE BOTTOM PLATE LETTERING ARRANGEMENT AS SHOWN. PREVIOUS SETS OF EQUIPMENT BUILT PRIOR TO THIS DATE WILL HAVE A DIFFERENT VERSION OF LETTERING.

THIS CONTAINER IS DESIGNED FOR PRODUCTS UP TO AND INCLUDING 5 GAS VOLUMES WITH NO PASTEURIZATION.



LABEL INDENT DETAIL
SCALE: 4 TO 1

SPECIAL TOLERANCES FOR WEIGHT, CAPACITY APPROVED BY: DATE:

NOTICE
 INFORMATION CONTAINED HEREIN CONSTITUTES PROPRIETARY CONFIDENTIAL INFORMATION OF OWENS-ILLINOIS, INC. AND IS TO BE ACCEPTED ONLY SUBJECT TO THAT UNDERSTANDING. IT IS TO BE KEPT CONFIDENTIAL AND NOT TO BE COPIED, USED OR CONVEYED TO OTHERS WITHOUT OWENS-ILLINOIS WRITTEN AUTHORIZATION.

	ALL LETTERING TO BE ROUND BOTTOM STYLE. RAISED IN GLASS, UNLESS OTHERWISE NOTED. CAPACITY VALUES BASED ON WATER AT 68°F [20°C].	STOCK	
	RATED CAPACITY 25.361 U.S. FL. OZ. ± 0.240 U.S. FL. OZ. [750.00 ± 7.10 ml]	750 ml SPARKLING WINE	
	OVERFLOW CAPACITY SEE CHART	DESCR. ROUND (0-1 CANADA)	DRAWING NUMBER
	FILL POINT SEE CHART	INTL. 901-CM-018 CAD LIB. DHFM	WA-40186-1
- I REDRAWN; PRIMARY FIN. DESIG. WAS 26-32-A-GCCC-2010, SEC. FIN DESIG. WAS 30-1660; REV'D. CAP. LETT.	WEIGHT 19.000 OZ. ± 0.741 [538.64 g ± 21.00 g]	DATE: 09 APR 03 (ORIG. 19 APR 82) REF. NO. 8624 ②	MOLD NUMBER
REVISIONS		REDRAWN: JJB CHECKED: _____ APPROVED: 16 APR 03	W-1383

SPECIAL J72 MATCH. THIS CONTAINER DOES NOT CONTAIN MOLD SHROUDES.