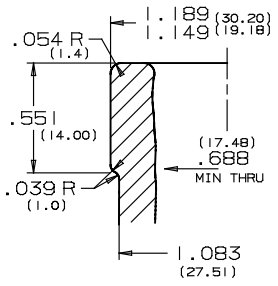
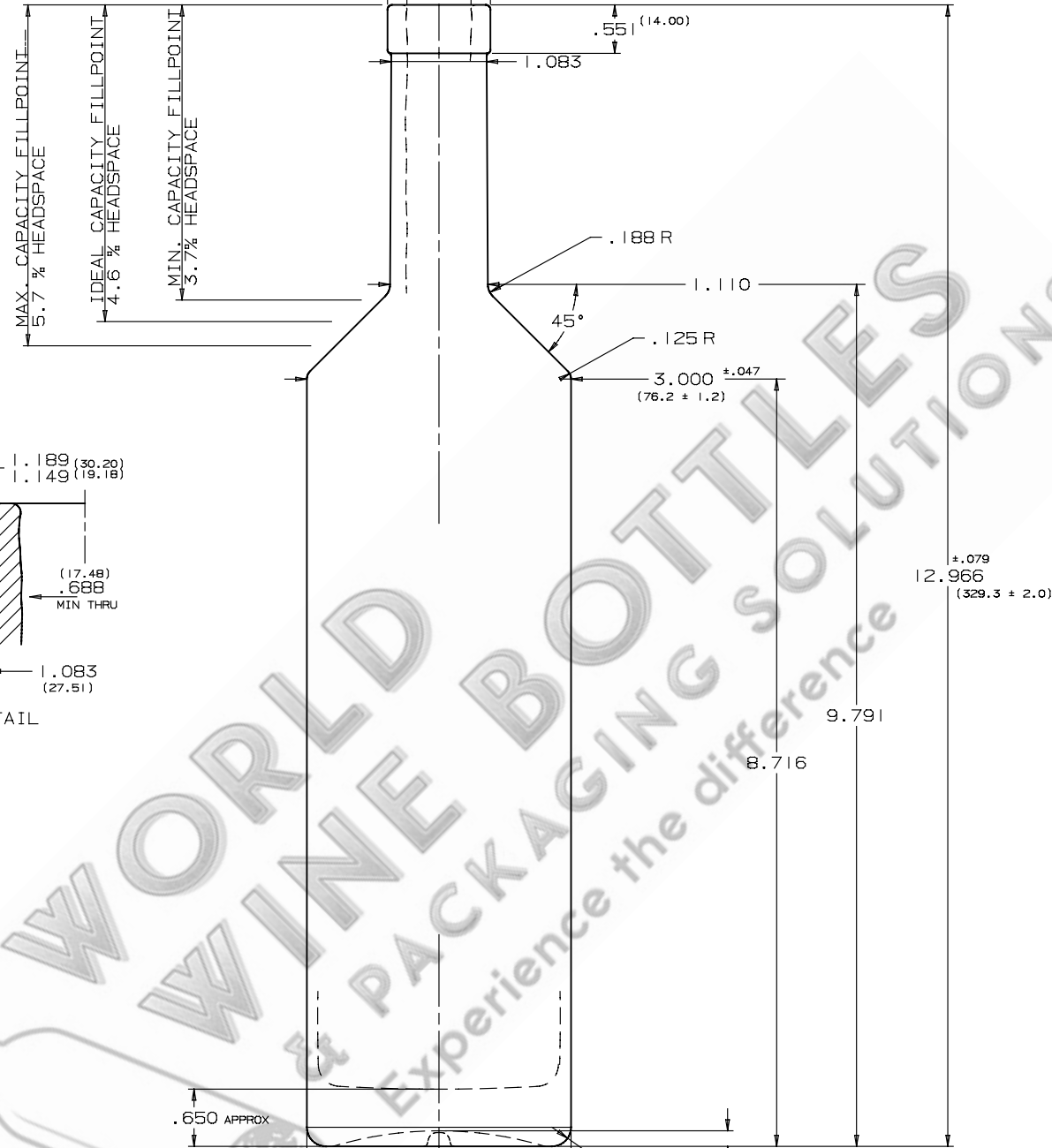
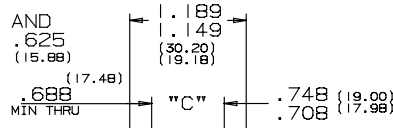


U.S. Distributor:

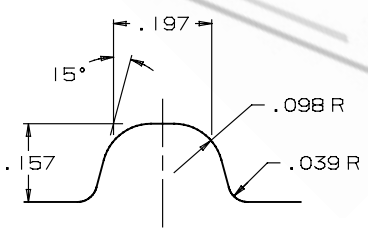
World Wine Bottles

www.worldwinebottles.com

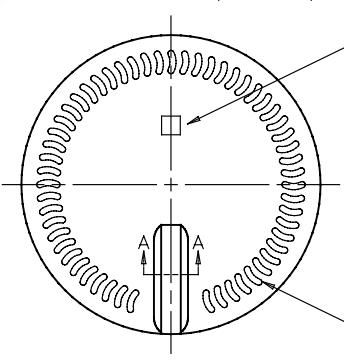
"C" DIMENSION CONTROLS CORK FIT AND MUST BE MAINTAINED FROM .125 TO .149 DOWN FROM TOP OF FINISH (3.18)



FINISH DETAIL
SCALE 2 x 1



SECTION A-A
SCALE 5 x 1



CAVITY No IN BAFFLE

CRESENT STYLE STIPPLE

WORLD WINE BOTTLES & PACKAGING SOLUTIONS

Experience the difference

MOLD REGISTER NO.	L-951 FT	DATE DRAWN	
SCALE OTHERWISE SPECIFIED		DRAWN BY	
APPROX. WGT.	27.211 oz	CHECKED BY	
	771.5 GRAMS	FLINT	
CUSTOMER	IDAHO		
TITLE	750 ml		
PRACTICAL FILL	785 cc ±		
CAPACITY	7.5 cc OF		
FINISH	18.5mm BAR TOP		
REVISIONS			
DRAWING NO:	C-41138		