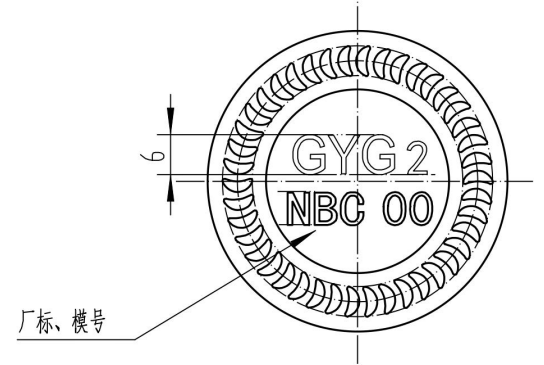
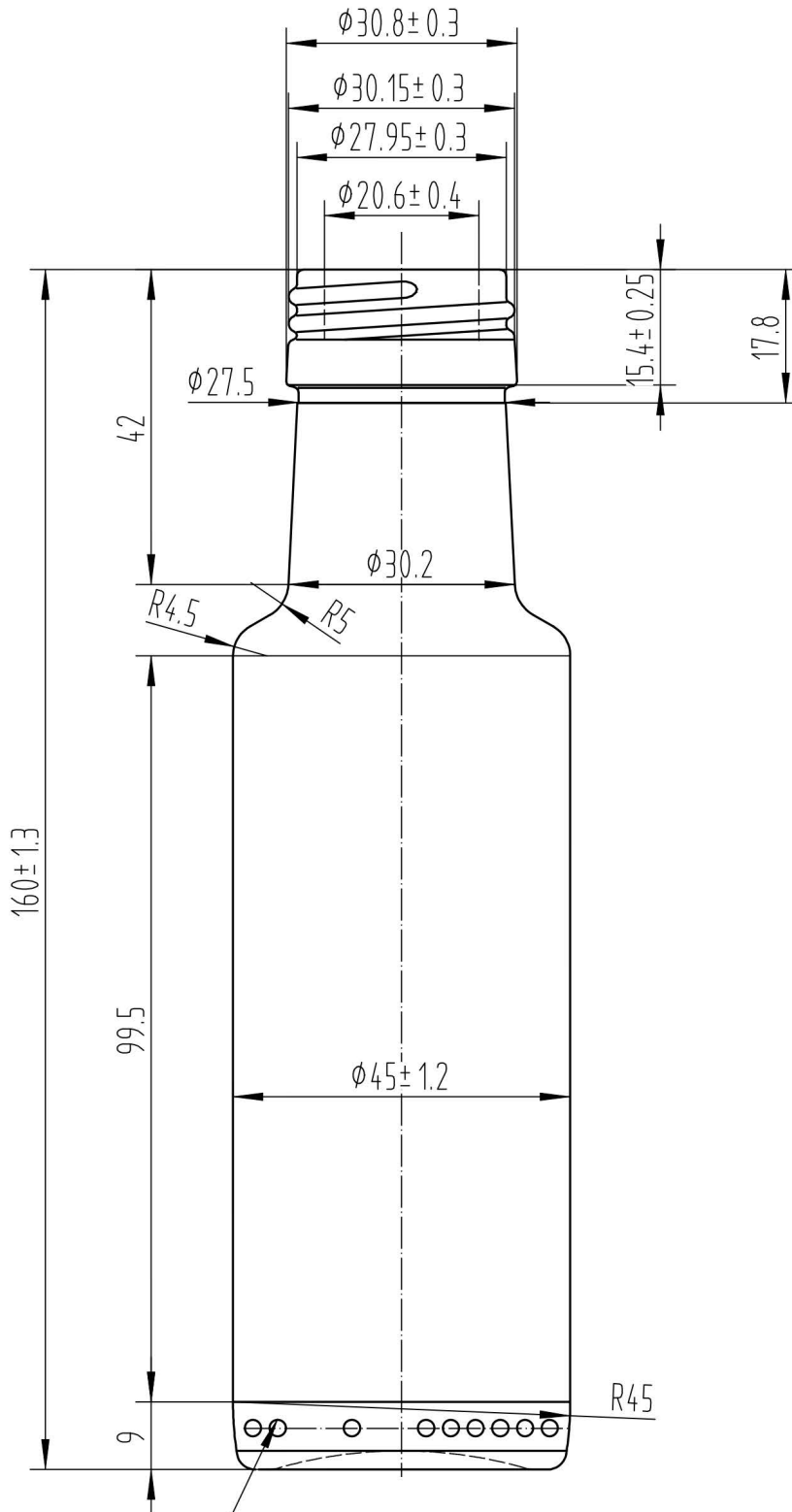




# WORLD WINE BOTTLES & PACKAGING SOLUTIONS

Experience the difference

100



检验机识别码

PRODUCT NAME	125ml
FILL POINT CAPACITY	125ml
BRIMFULL CAPACITY	141 ± 5ml
GLASS WEIGHT	170 ± 15g
DESIGN	李伟华
DESIGN DATE	2020-04-06
CHECKED	
CHECKED DATE	
APPROVED	<i>李伟华</i>
APPROVED DATE	2020-04-06
GLASS COLOUR	
DRAWING NO.	125-02-2