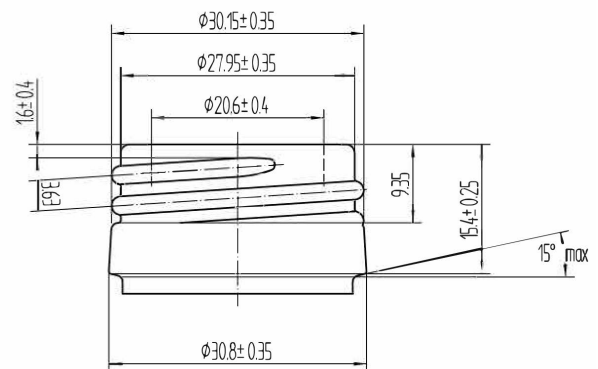
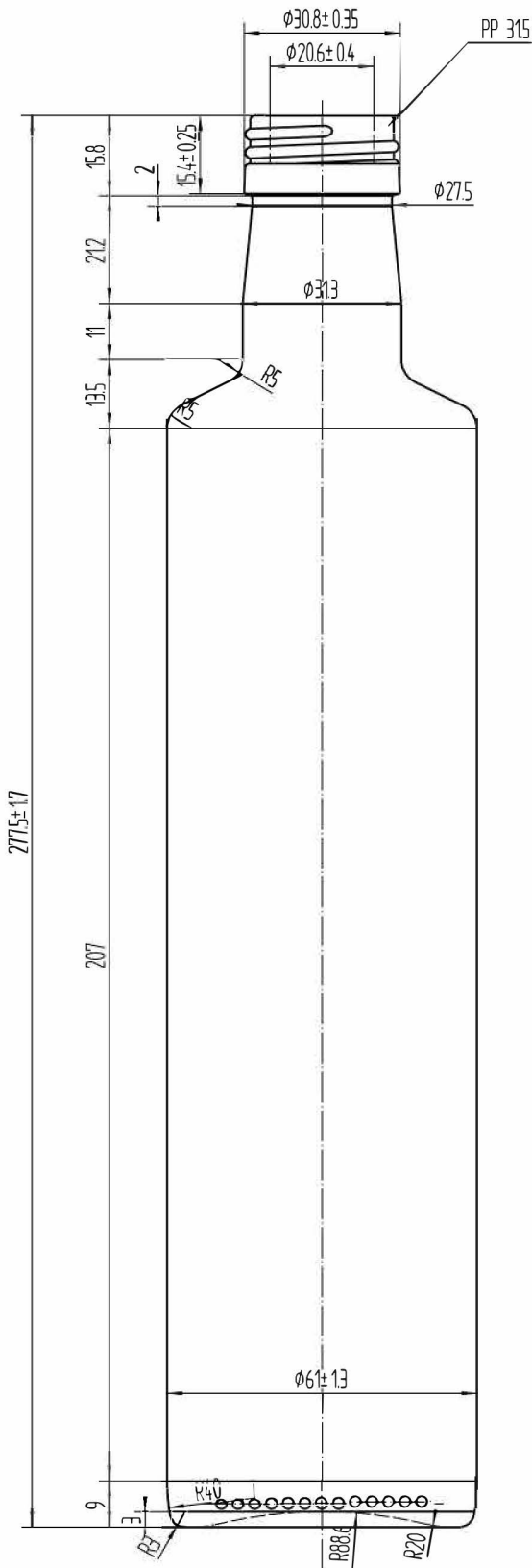
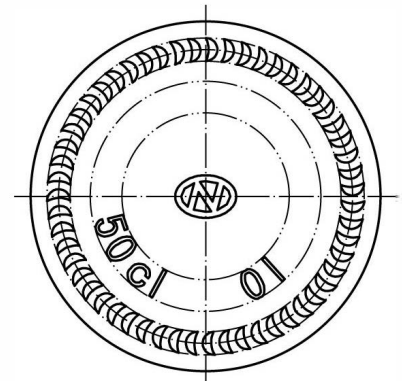




WORLD WINE BOTTLES & PACKAGING SOLUTIONS

Experience the difference

103



PRODUCT NAME	F2284		CHECKED
FILL POINT CAPACITY	500ml	DRAWING NO.	500-1
BRIMEFULL CAPACITY	525 ± 7 ml	DESIGN	APPROVED
GLASS WEIGHT	400 ± 25 g	DESIGN DATE	2020-10-16
			APPROVED DATE