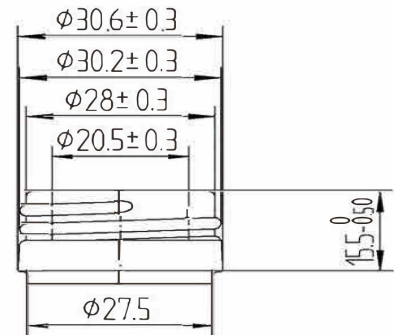
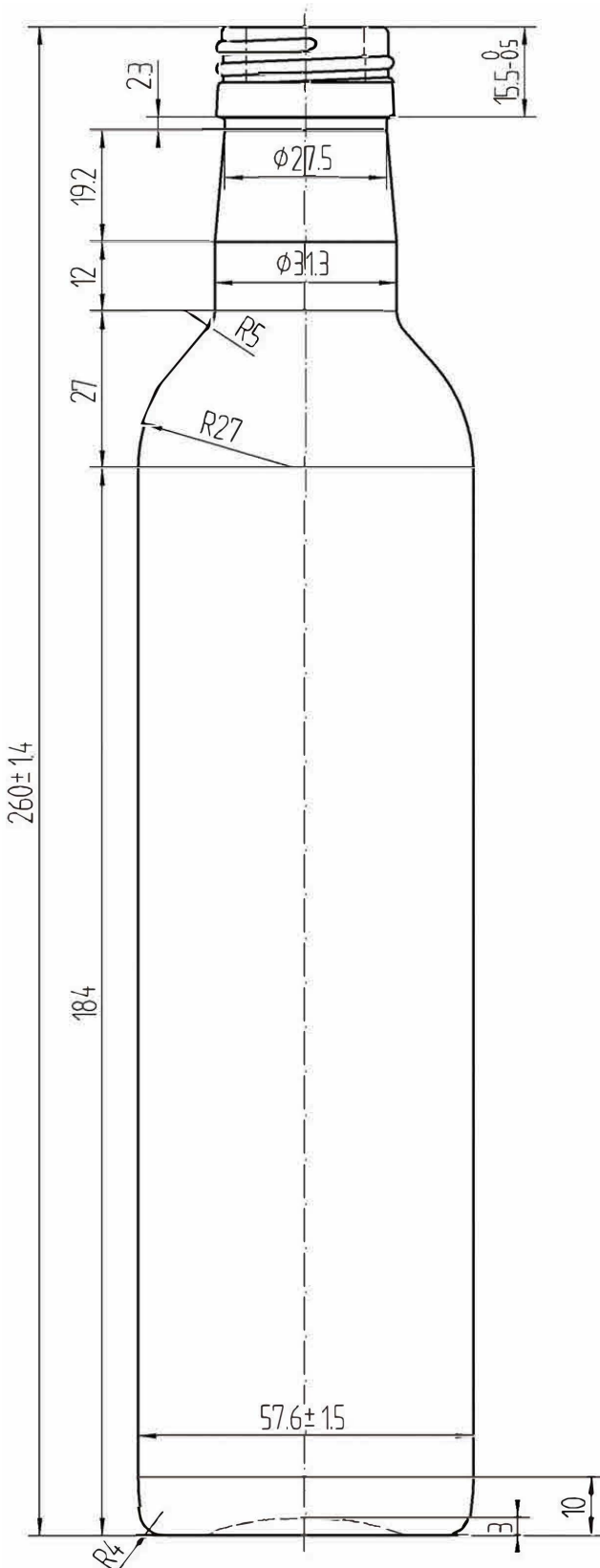
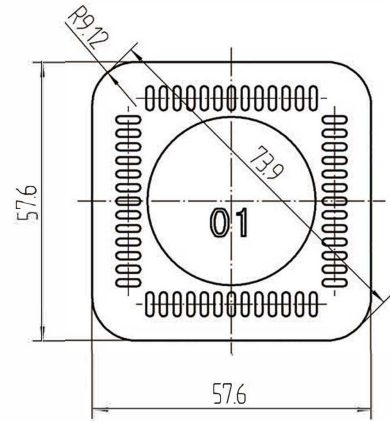




# WORLD WINE BOTTLES & PACKAGING SOLUTIONS

Experience the difference

104



PRODUCT NAME	500mL
NOMINAL CAPACITY	500mL
MOUTHFUL CAPACITY	520 ± 6mL
WEIGHT	390 ± 20g
DRAWN BY	姜昆
CONFIRM	
APPROVED	
DATE	2013-8-01
COLOUR	
DRAWING NO.	B5001