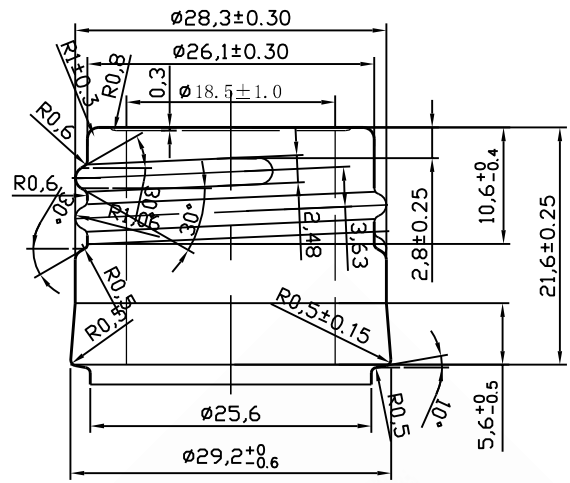
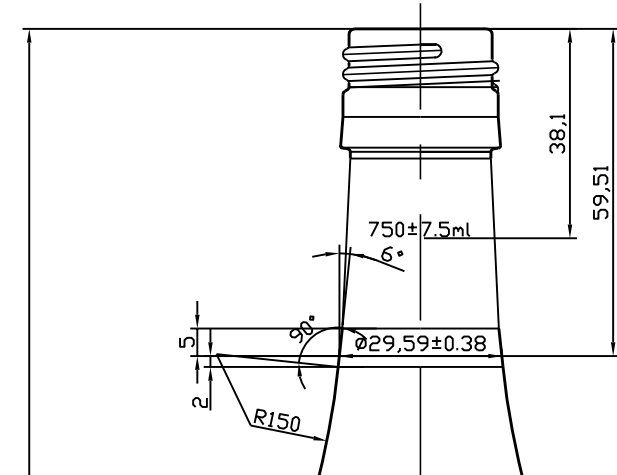
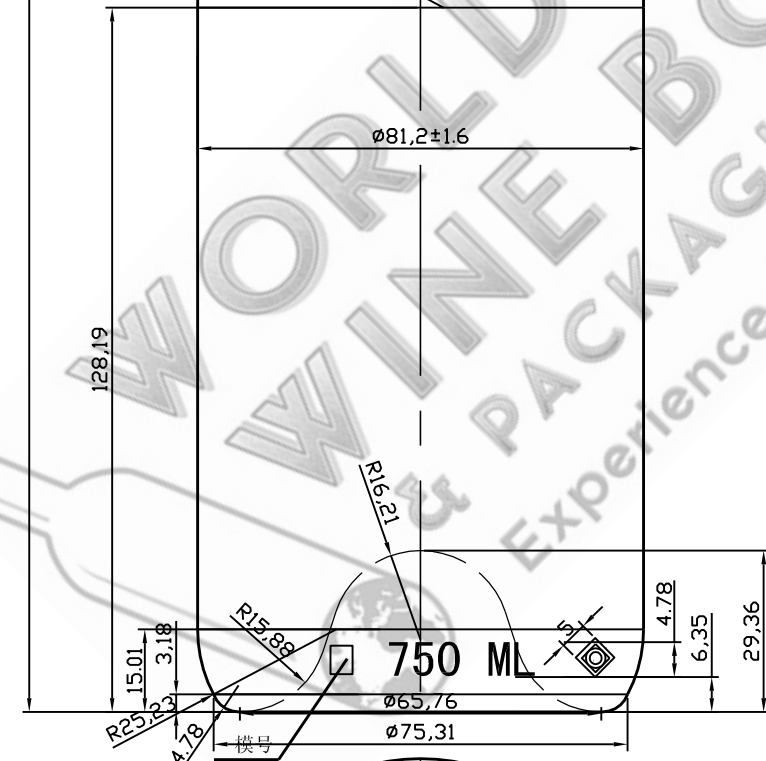


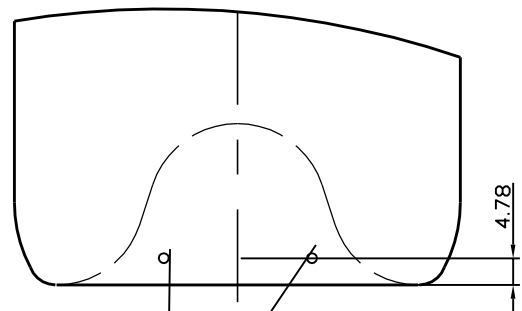
WW08Y



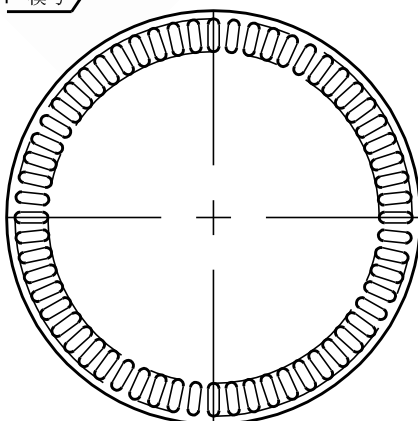
297 ± 1.6



瓶口
Finish No.
1680-03



电脑识别点



750ml	760 ± 7.5ml	530 ± 20g	W0119
WW08			
	11.8.11		
			1:1