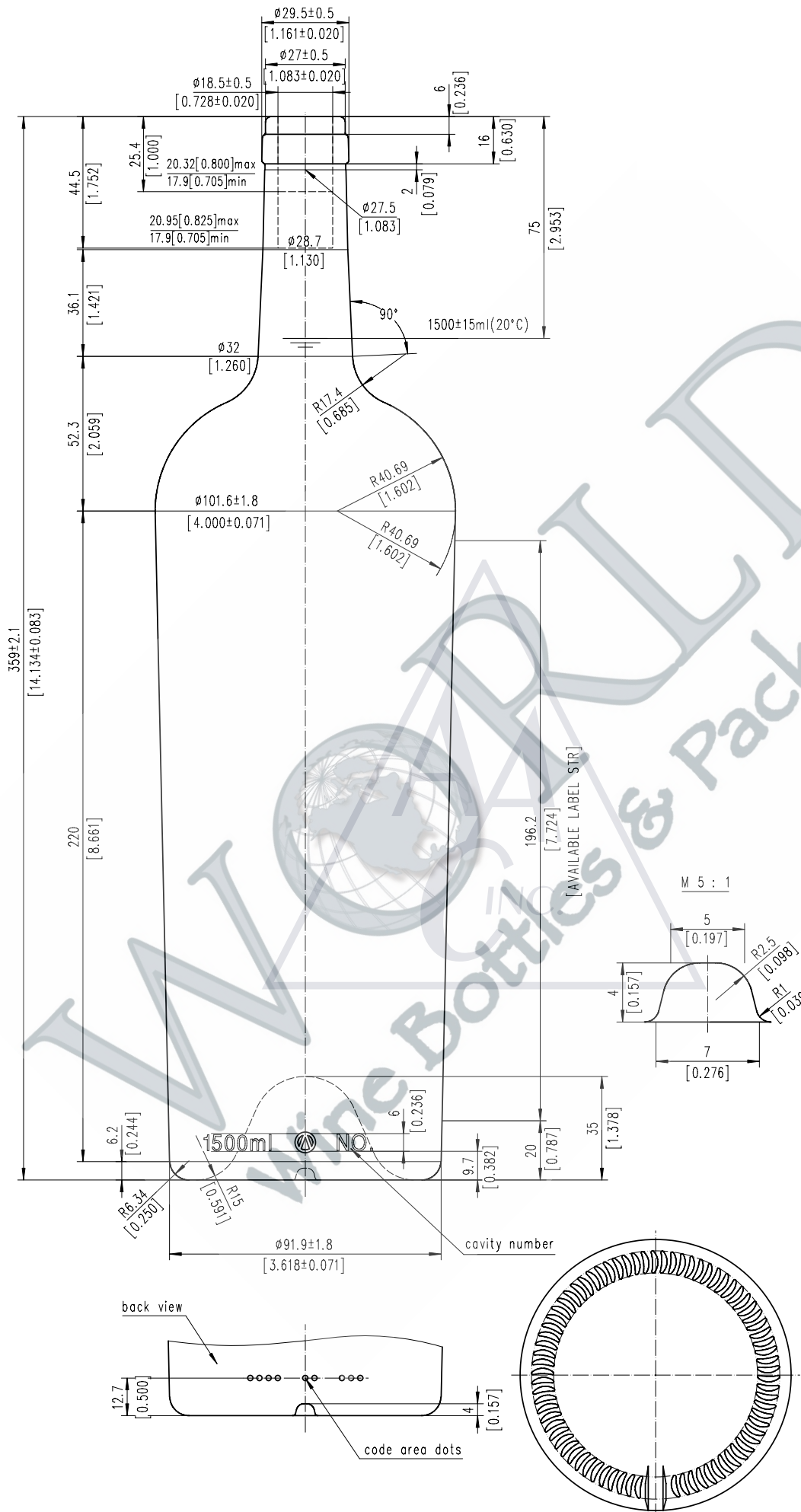


86 Magnum
Tapered 2621



FINISH NUMBER	NOT APPLICABLE	MOLD NO.	EF-5413
CAPACITY	42°C <td>PRODUCT NO.</td> <td>2621</td>	PRODUCT NO.	2621
OVERFLOW CAPACITY	0.8 J <td>NAME OF PRODUCT</td> <td>1500ml Bordeaux</td>	NAME OF PRODUCT	1500ml Bordeaux
WEIGHT	2011.3.23		
NORM	2011.3.24		