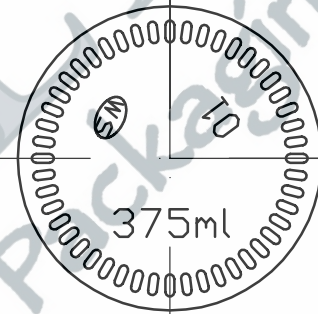
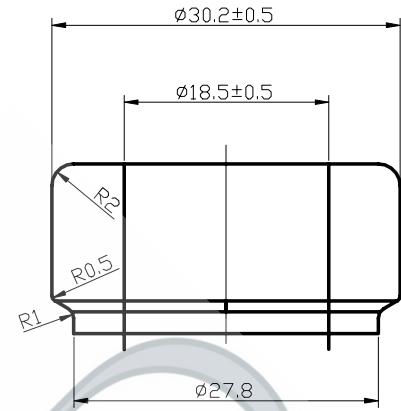
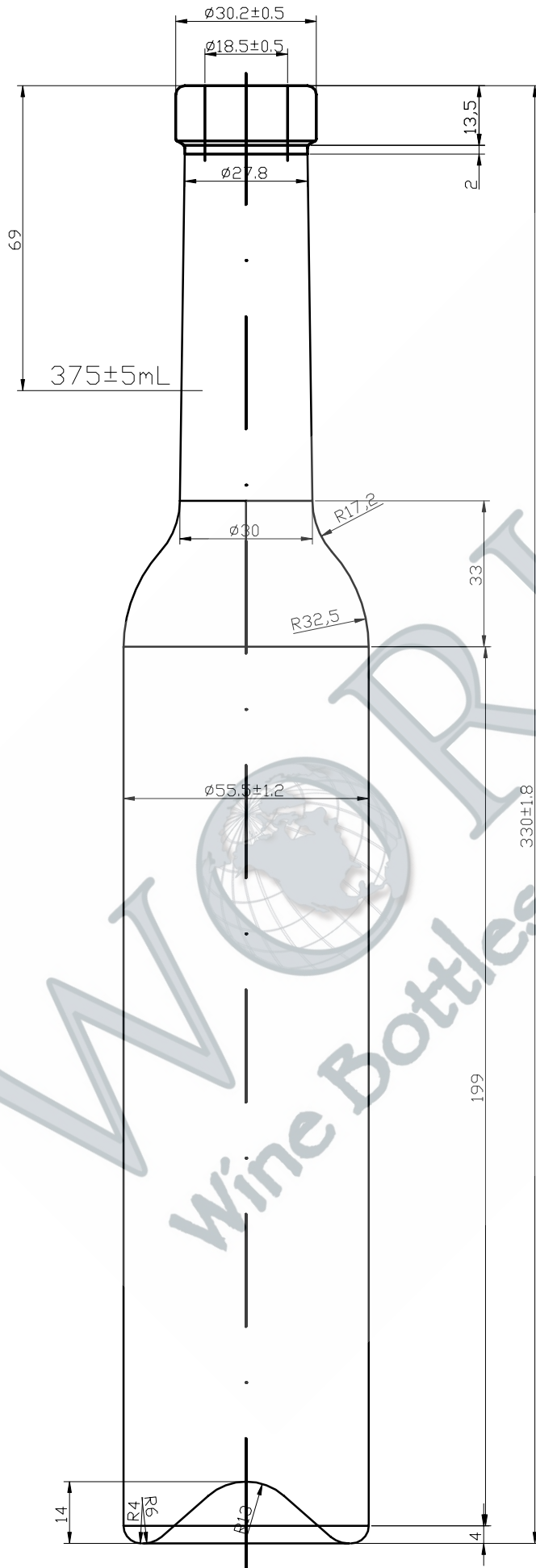


WW45 375BT



	375 mL
	392 \pm 8 mL
	330 \pm 1.8 mm
	55.5 \pm 1.2 mm
	18.5 \pm 0.5 mm
	30.2 \pm 0.5 mm
	500 \pm 20 g
	H375-2ZK
	375 mL
	2008