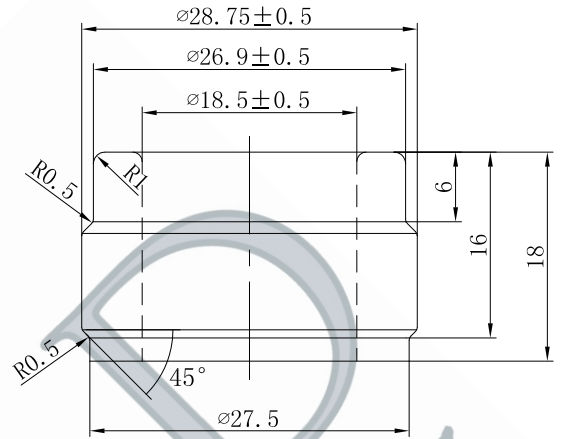
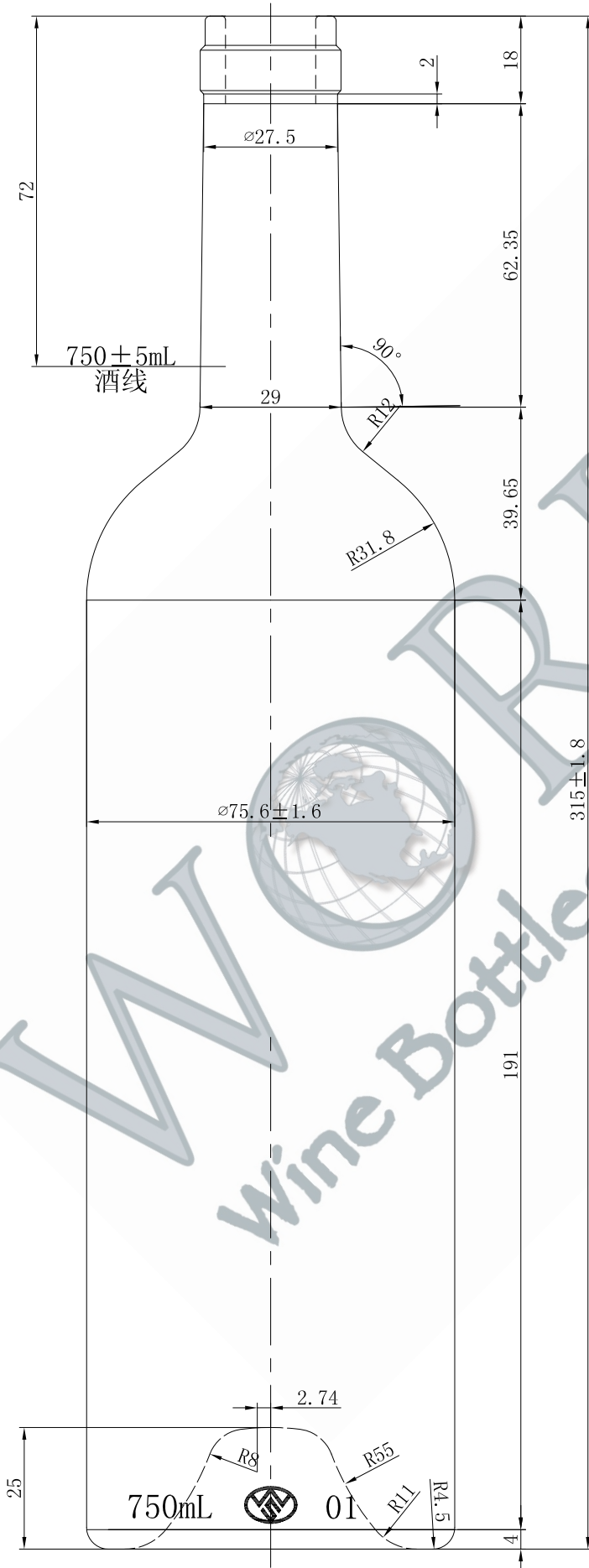


WW11



	750	mL
	775±10	mL
Weight	570±25	g
Height	315±1.8	mm
Width	75.6±1.6	mm
		mm
		mm
		mm
	28.75±0.5	mm
	18.5±0.5	mm
		M1:1
	WW11	